

4

3

2

1

D

D

C

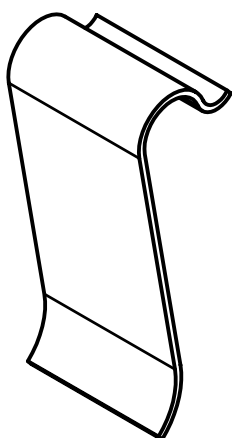
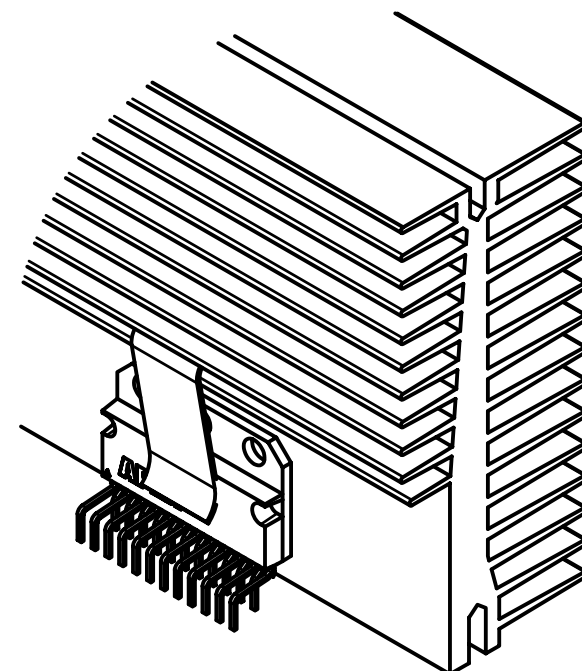
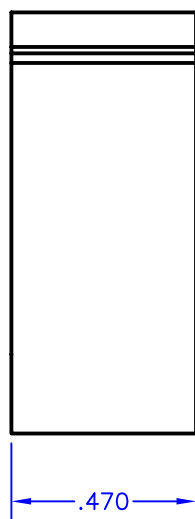
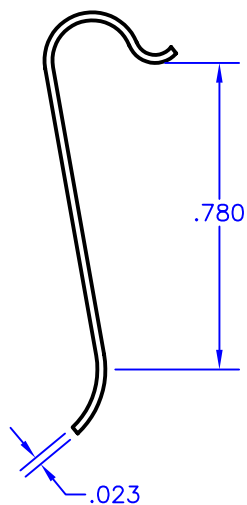
C

B

B

A

A



NOTES:

- 1. Unless otherwise noted, dimensions are in inches.
- 2. Break all sharp edges, de-burr and remove loose chips.
- 3. Aavid Thermalloy part number MAX10.
- 4. Used with HS32 heatsink.

TOLERANCES - UNLESS OTHERWISE SPECIFIED	
.XX	= ±.01
.XXX	= ±.005
ANG.	= ±.5°



TITLE				PART NO.			
CLAMP, SIP				CLAMP05			
SUBJECT							
MECHANICAL DRAWING							
ENG.	TECH/DWN.	DCA	SHL	OF	FILENAME:	REV	DATE
KNG	P.ECK	50449	1	1	CLAMP05	A	08DEC05

4

3

2

1